

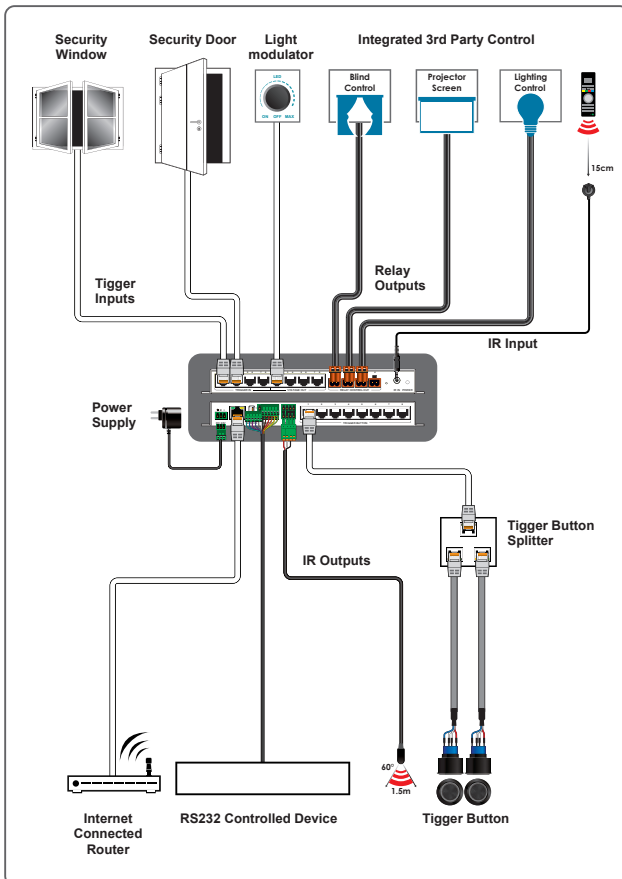


The product expands the enclosure to add up 16 trigger inputs and 16 DAC outputs as 8 ports RJ45 hub as interface, also 8 button ports and 4 Relay ports to achieve extra control configuration of the control unit itself could achieve. 8 Trigger input ports and DAC output ports to provide 16 of each provided as control interface. (Note: Trigger Button and Trigger in cannot use at the same time.) Simple configuration of macros, triggers and relay settings via the WebGUI. Control signal sending via IR, Relay, RS-232 and Ethernet. PoE equipped to allow the unit powered by Ethernet switch having PoE functionality. With standard 6U size to fit in our own CYP 6U rack as total solution to pairing other CYP products.

PANELS



DIAGRAM



FEATURES

- 16 Trigger in and 16 DAC out on a 1x8 RJ45 hub, 8 DAC button as control interface as an 1x8 RJ45 Hub also.
Note: Trigger Button and Trigger in cannot use at the same time.
- 1 IR in and 4 IR out.
- 4 Relay out for Control signal transmit.
- PoE (Power over Ethernet) support.
- 2 sets of RS232/RS422/RS485.
- User control interfaces including WebGUI, Telnet and RS-232/422/485.
- Simple configuration of macros, triggers and relay settings via the WebGUI.
- 6U design to fit standard 6U rack with other solutions

SPECIFICATIONS

Interfaces

Control I/O	Control I/O
4 Relay (2-pin terminal block)	4 Relay (2-pin terminal block)
1 IR Receiver (3.5mm)	1 IR Receiver (3.5mm)
4 IR Extender (4-pin terminal block)	4 IR Extender (4-pin terminal block)
1 Control(RJ45)	1 Control(RJ45)
2 Comport (6-pin terminal block)	2 Comport (6-pin terminal block)
16 Trigger(RJ45)	16 Trigger(RJ45)
16 Voltage (RJ45)	16 Voltage (RJ45)
16 Trigger Button(RJ45)	16 Trigger Button(RJ45)
1 USB (Type A)	1 USB (Type A)

Power

Power Supply	24V/ 1A DC (Locking)
Power Consumption	TBD

Enclosure

Chassis Material	Metal (Steel)
Chassis Color	Black
Dimensions (W×H×D)	231.5mm×25mm×108mm [Case Only] 231.5mm×25mm×117mm [All Inclusive]
Weight	250g

Field Firmware Update

USB Flash Drive, WebGUI

ORDERING INFORMATION

Model No.	Product Description
CDPS-MF501	System Control Center
CDPS-TG102	1x2 Tigger Button Splitter
CBL-MPBCAT-10	Trigger Button



CDPS-TG102



CBL-MPBCAT-10

CDPS-TG102

Input Port	1 RJ45
Output Ports	1 RJ45

Enclosure

Chassis Material	Metal (Steel)
Chassis Color	Black
Dimensions (W×H×D)	50mm×25mm×52mm [Case Only]
Weight	60g